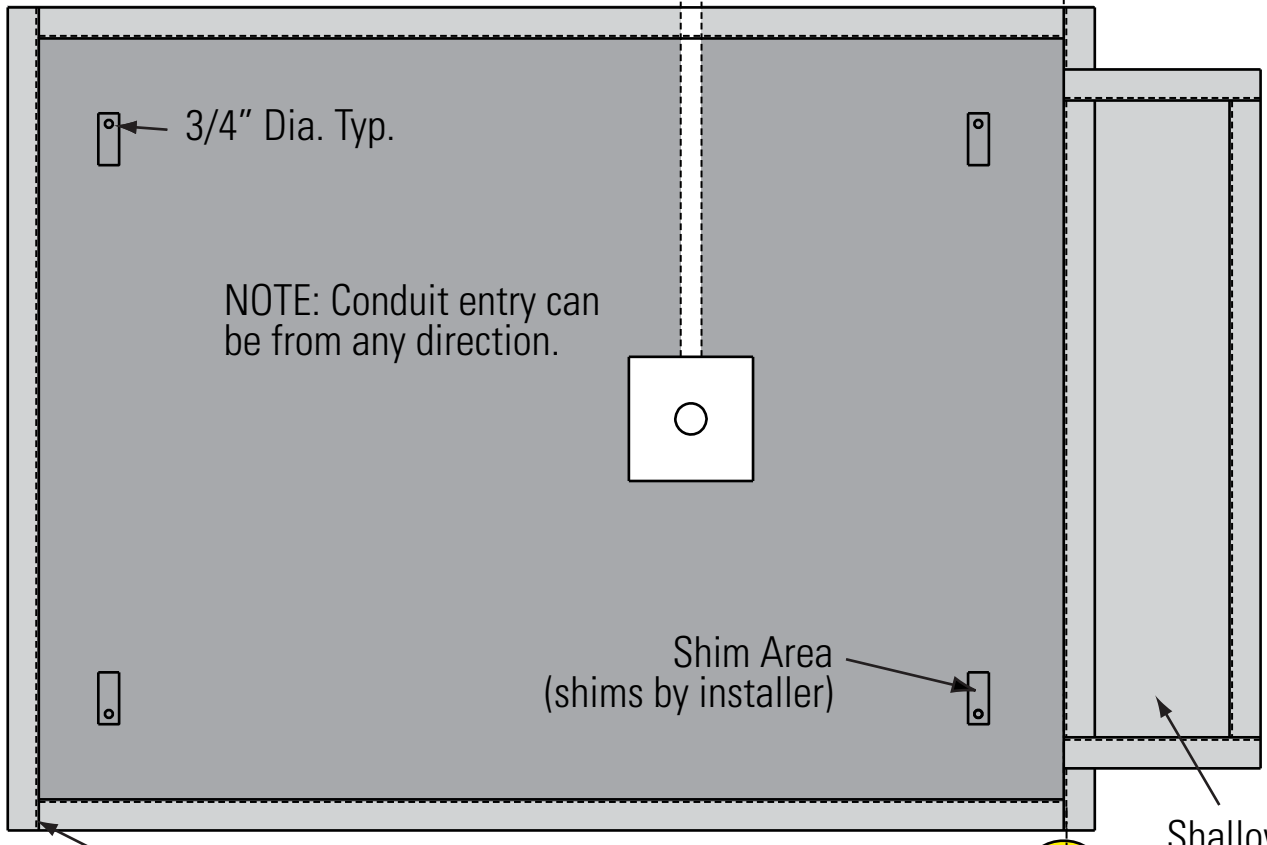


3" Dia. Electrical conduit used when 1/2" hydraulic hose and electrical leads are to be installed from power unit to lift (by pit contractor).



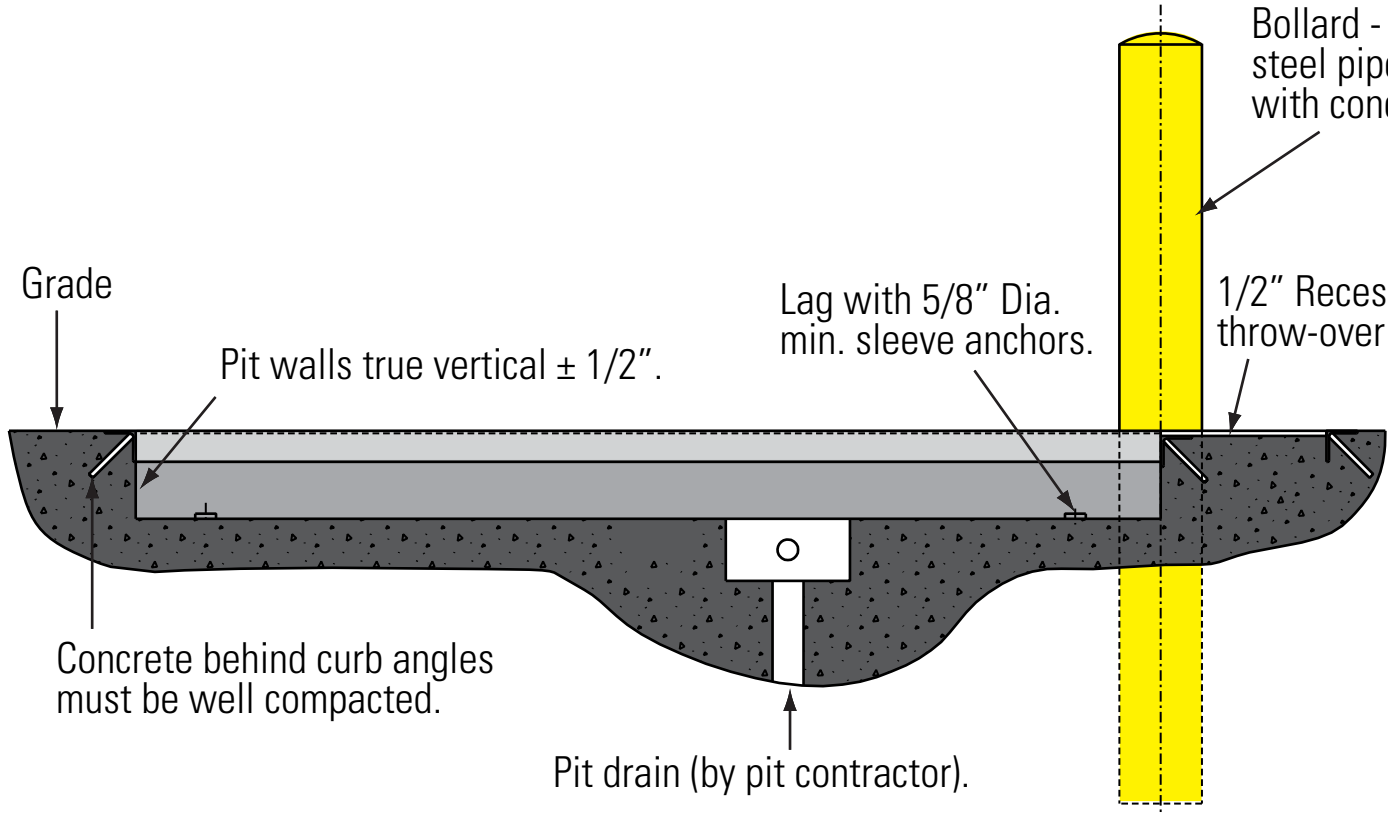
Locate bollard on front pit wall.

NOTE: Conduit entry can be from any direction.

Shim Area (shims by installer)

3" x 3" x 1/4" angle by pit contractor. All corners to be securely welded. Pit must be square across corners  $\pm 1/2"$ .

Shallow pit for throw-over plate.



Bollard - 8" Dia. steel pipe filled with concrete.

Grade

Pit walls true vertical  $\pm 1/2"$ .

Lag with 5/8" Dia. min. sleeve anchors.

1/2" Recess for throw-over plate.

Concrete behind curb angles must be well compacted.

Pit drain (by pit contractor).