

# **SOUTHWORTH**

Owner's Manual

## **Dandy Leveler**

**UDLV-150 & UDLV-500**

**(New Style)**



Model # \_\_\_\_\_

Serial # \_\_\_\_\_

Southworth Products Corp  
P.O. Box 1380/Portland, Maine 04104-1380  
Phone 800-743-1000 • FAX 207-797-4734

[www.southworthproducts.com](http://www.southworthproducts.com)  
[service@southworthproducts.com](mailto:service@southworthproducts.com)

Please note: This manual was current at the time of printing. To obtain the latest, most updated version, please contact Southworth's Customer Service Department or go to our website: [www.SouthworthProducts.com](http://www.SouthworthProducts.com), under E-Parts & Service you will find a complete list of current owner's manuals to print.

# TABLE OF CONTENTS

RESPONSIBILITY OF OWNERS AND USERS .....	4
SAFETY .....	5-6
SPECIFICATIONS.....	7
USING THE UD DANDY LEVELER .....	7
ASSEMBLY .....	8-9
PARTS LISTS.....	10-15
ORDERING REPLACEMENT PARTS.....	16
WARRANTY .....	17

## **Responsibility of Owners and Users**

### **Inspection and Maintenance**

The device shall be inspected and maintained in proper working order in accordance with Southworth's owner's manual.

### **Removal from Service**

Any device not in safe operating condition such as, but not limited to, excessive leakage, missing rollers, pins, or fasteners, any bent or cracked structural members, cut or frayed electric, hydraulic, or pneumatic lines, damaged or malfunctioning controls or safety devices, etc. shall be removed from service until it is repaired to the original manufacturer's standards.

### **Deflection**

It is the responsibility of the user/purchaser to advise the manufacturer where deflection may be critical to the application.

### **Repairs**

All repairs shall be made by qualified personnel in conformance with Southworth's instructions.

### **Operators**

Only trained personnel and authorized personnel shall be permitted to operate the equipment.

### **Before Operation**

Before using the device, the operator shall have:

- Read and/or had explained, and understood, the manufacturer's operating instructions and safety rules.
- Inspected the device for proper operation and condition. Any suspect item shall be carefully examined and a determination made by a qualified person as to whether it constitutes a hazard. All items not in conformance with Southworth's specification shall be corrected before further use of the equipment.

### **During Operation**

The device shall only be used in accordance with this owner's manual.

- Do not overload.
- Ensure that all safety devices are operational and in place.

### **Modifications or Alterations**

Modifications or alterations to any Southworth industrial positioning equipment shall be made only with written permission from Southworth.

## SAFETY

Warning: Failure to obey the instruction and safety rules in this manual and the DANDY LIFT Operator's Manual may result in death or serious injury.

Many of the hazards identified in the operating instruction manual are also safety hazards when performed.

Do Not Perform Maintenance Unless:

You are trained and qualified to perform maintenance on this machine.

You read, understand and obey:

- Manufacture's instructions and safety rules
- Employer's safety rules and worksite regulations
- Applicable governmental regulations

You have the appropriate tools, lifting equipment and a suitable workshop.

### WARNING

While performing maintenance do not work on a raised lift. Lay the lift on its side when working on the Dandy Leveler

### DANGER

Immediate hazard which will result in severe personal injury or death.

### WARNING

Hazardous or unsafe practice which could result in severe personal injury or death.

### CAUTION

Hazardous or unsafe practice which could result in minor personal injury or property damage.

Please read and follow the instructions in this manual, including all safety instructions and precautions, carefully and completely.

# SAFETY ALERT SYMBOLS AND SIGNAL WORDS

The safety of all persons operating, maintaining, repairing, or in the vicinity of this equipment is of paramount concern. This is a powerful machine with moving parts, and is capable of causing personal injury if proper precautions are not taken. Therefore, throughout this manual, certain hazards have been identified which may occur in the use of the machine, and there are appropriate instructions or precautions which should be taken to avoid these hazards. In some cases, there are consequences which may occur if instructions or precautions are not followed. Below are the symbols and signal words along with their definitions referenced from ANSI Z535.4 - Product Safety Signs and Labels.

## Safety Alert Symbols

These are the safety alert symbols. They are used to alert you to potential physical injury hazards. Obey all safety messages that follow this symbol to avoid possible injury or death.



For use with **DANGER** signal word  
(Red Background)



For use with **WARNING** signal word  
(Orange Background)



For use with **CAUTION** signal word  
(Yellow Background)

## Signal Words

The meaning of different signal words as defined by ANSI Standard Z535.4 indicates the relative seriousness of the hazardous situation.



(Red Background)

DANGER indicates a hazardous situation which, if not avoided, will result in death or serious injury.



(Orange Background)

WARNING indicates a hazardous situation which, if not avoided, could result in death or serious injury.



(Yellow Background)

CAUTION, used with the safety alert symbol, indicates a hazardous situation which, if not avoided, could result in minor or moderate injury.



(Blue Background)

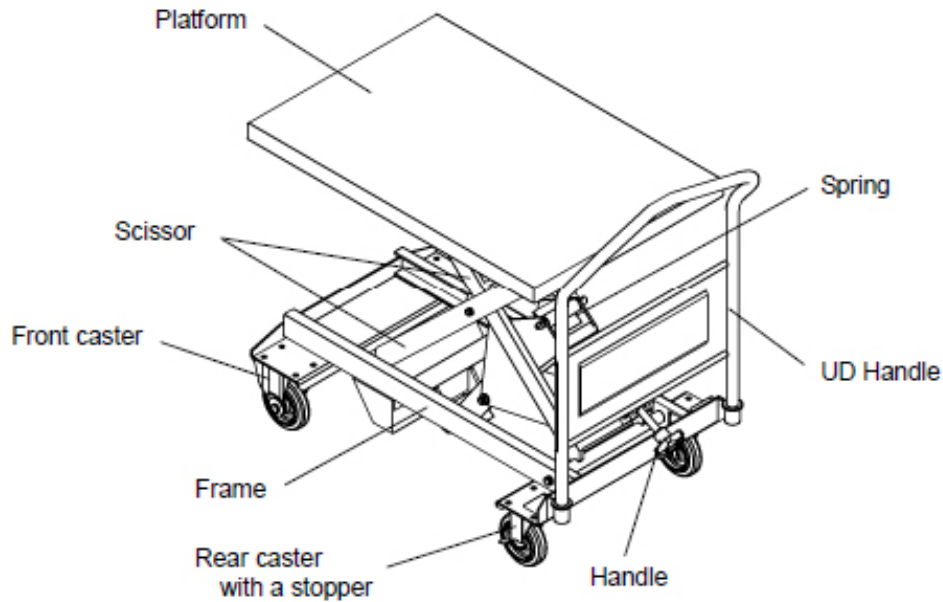
NOTICE is used to address practices not related to personal injury.



(Green Background)

SAFETY INSTRUCTIONS (or equivalent) signs indicate safety-related instructions or procedures.

# INSTRUCTION MANUAL



The UD Dandy Leveler is a transporter and load leveler which uses a simple spring mechanism to adjust the height of a load. Because of its simple durable structure, it requires very little maintenance. Refer to this instruction manual before assembling and using the UD Dandy Leveler.

## SPECIFICATIONS

	<b>UDLV-150</b>	<b>UDLV-500</b>
Max Load (kg)	150	500
Load Weight Setting	50 : 75 : 100 : 150	100 : 200 : 300 : 400 : 500
Max Table Height (mm)	665	800
Min Table Height (mm)	275	380
Table Size (mm)	710 x 450	910 x 600
Casters (mm)	100 (two swivel casters on rear, each equipped with stopper)	125 (two swivel casters on rear, each equipped with stopper)
Tare Weight (kg)	34	84

## USING THE UD DANDY LEVELER

1. Distribute a load evenly on the table when loading or unloading.
2. Apply the parking brake when using the UD Dandy Leveler in a stationary position. If necessary take other measures to make the frame stationary.
3. When transporting a load on the UD Dandy Leveler, pay adequate attention to condition of the floor. The clearance between the floor and the bottom of the frame is 40mm for both the UDLV-150 and UDLV-500.
4. The UD Dandy Leveler is maintenance free; however, it should be lubricated when the unit creaks due to lack of oil. Also, when inspecting the unit or marking load weight adjustments, apply the roller stopper.

# ASSEMBLY

The UD Dandy Leveler is shipped with the spring and handle detached, to assemble the unit, follow the instructions below.

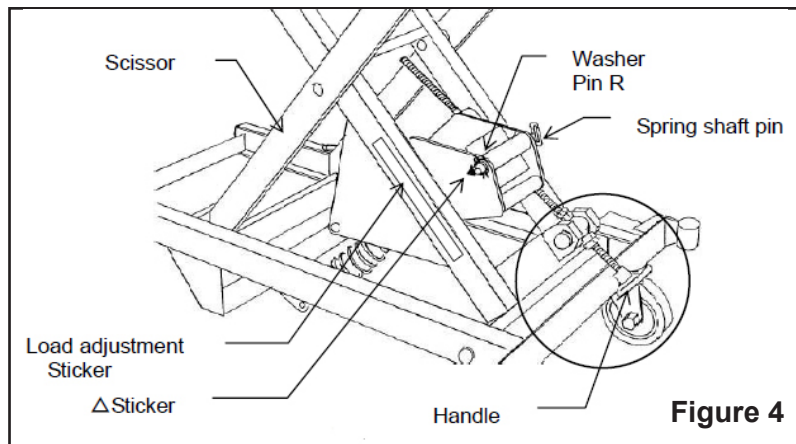
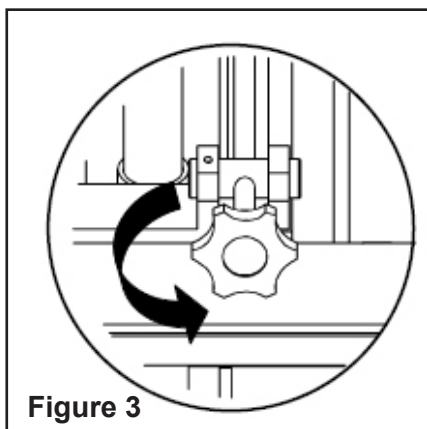
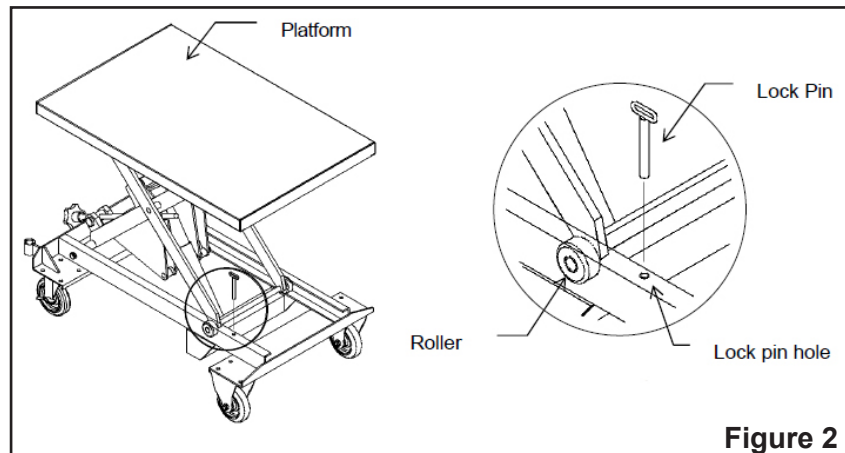
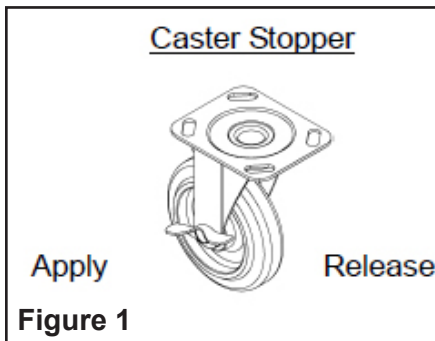
## 1. Assembling the spring

- Engage the caster stoppers to keep the lift stationary. (Fig. 1)
- Pull the Lock Pin out. Once removed, raise the machine so the lower leg roller rolls past the Locking Pin hole. Insert the Lock Pin back into the Lock Pin hole. The scissors are now locked in the raised position because the Locking Pin is holding the lower leg roller up. (Fig. 2)
- Spring shaft pin, washer and Pin R are removed. (Fig. 3)
- Left turns the steering wheel. Match the sticker with Load adjustment sticker. (UDLV-150:150kg, UDLV-500:500kg) (Fig. 4)
- Insert Spring shaft pin in Spring holder (Upper) and fix it with Washer and Pin R.
- Lifting the platform again and pull lock pin. After roller passes, insert lock pin, scissors become free. (Fig. 2)
- Fix UD Handle with Spring washer, Toothed lock washer and Nut.

This assembly should be done by two people.

### **CAUTION**

- The Lock pin functions as a stopper when it is placed on the outside of the roller. The stopper has no function on the inside of the roller.
- When assembling the unit, be sure to place the Lock pin on the outside of the roller to prevent accidents.





- Always use the caster stopper at the time of work.

## 2. Assembling the UD Handle

Remove the nut and spring washer of the UD handle and place the handle in the fastening units on the rear of the frame (the caster stopper side). Put on the spring washer and fasten with the nut.

## SELECTING THE LOAD WEIGHT ADJUSTMENT BY THE HANDLE

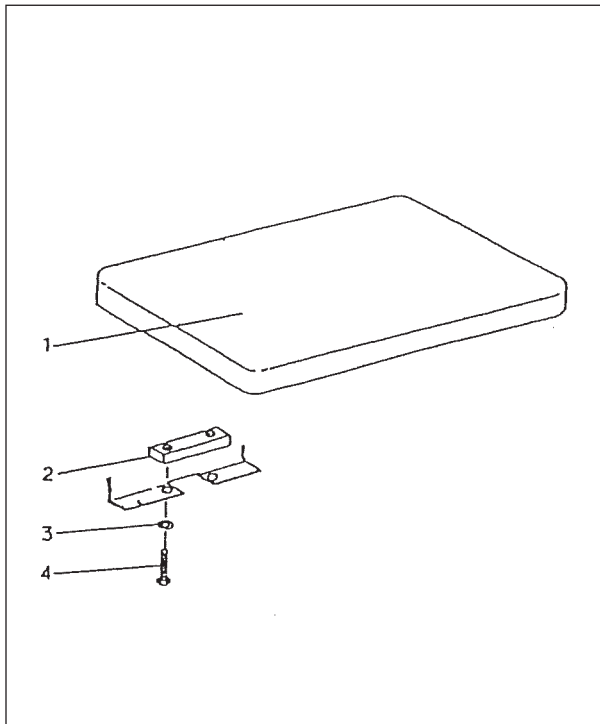
The maximum load weight for the UD Dandy Levelers are 150kg for the UDLV-150 and 500kg for the UDLV-500. The Leveler can be adjust to the expected load weight so that it functions at its best response to the load weight you use. Asjust the spring by placing the handle to the maximum load weight you will use. (Fig. 4)

### CAUTION

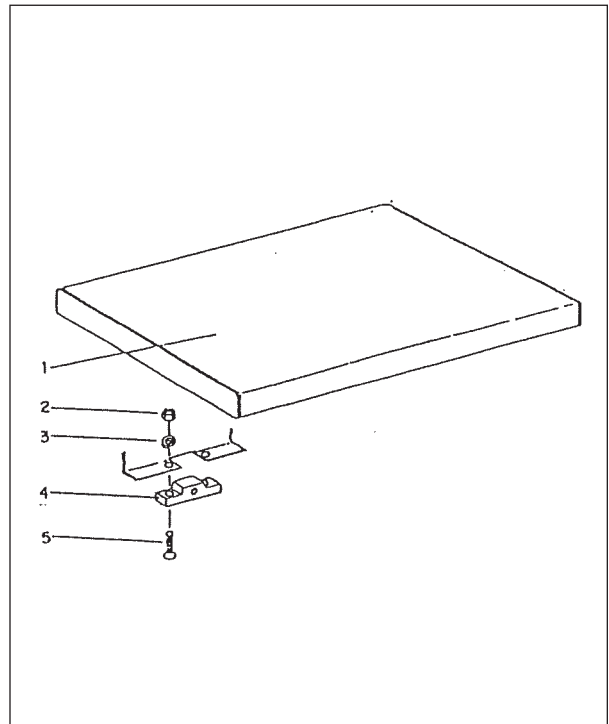
When making adjustment for a load weight, empty the table and be sure to apply the caster stopper so that the Leveler does not move.

# PLATFORM PARTS LIST

## UDLV-150



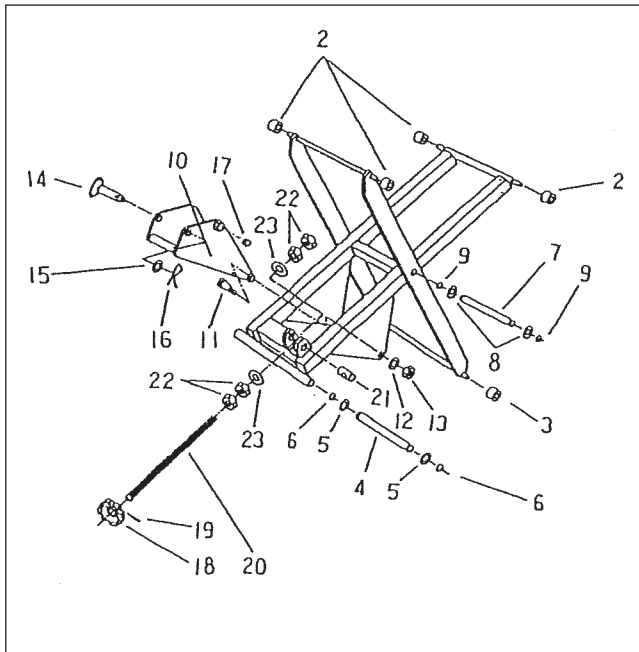
## UDLV-500



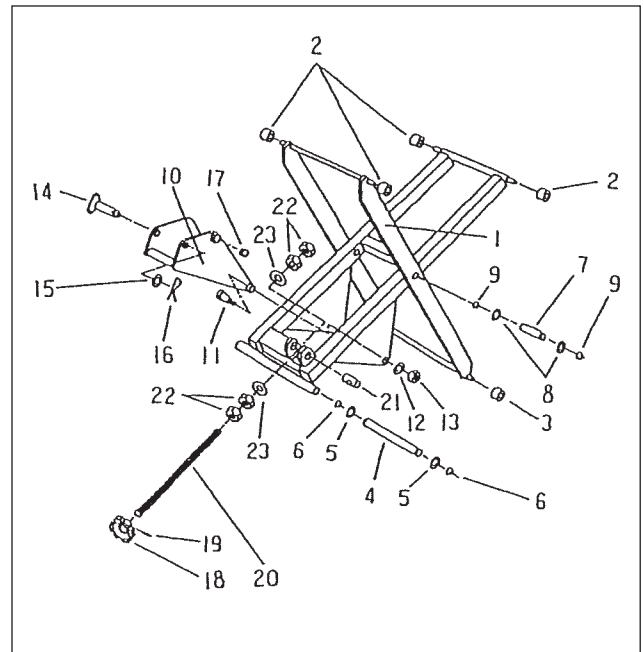
No.		UDLV-150		UDLV-500	
1	Platform	NH200010	1	N1200010	1
2	Roller Stopper 2	NH210010	2	NH210010	2
3	Spring Washer	0980853	4	0980853	4
4	Hexagon Head Bolt	0110816	4	0110816	4

# SCISSOR PARTS LIST

## UDLV-150



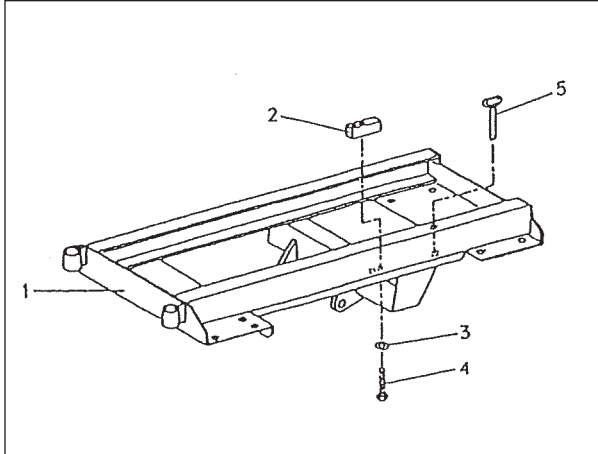
## UDLV-500



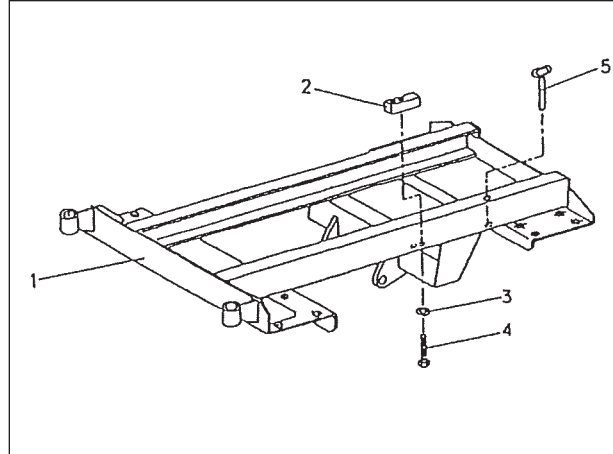
No.	Description	UDLV-150		UDLV-500	
1	Scissor	NH300000	1	MI300000	1
2	Roller (upper)	NA351002	4	ND351001	4
3	Roller (lower)	NA361002	2	ND361001	2
4	Shaft	NH400020	1	NI400020	1
5	Washer	0911616	2	0912017	2
6	Ring Retaining C	0321601	2	0322001	2
7	Center Shaft	NH400010	1	NI400010	2
8	Washer	0911215	2	0911616	4
9	Ring Retaining C	0321201	2	0321601	4
10	Lever Box	NH330000	1	NI330000	1
11	Pin Pivot	NH340050	2	NH340050	2
12	Washer	0911616	2	0911616	2
13	U Nut	0811282-03	2	0811282-03	2
14	Spring Shaft Pin	NH410010	1	NI410010	1
15	Washer	0911215	1	0911616	1
16	Pin R	0341212	1	0341616	1
17	Support Nut (lower)	NH340010	1	NI340010	1
18	Handle Knob	NH340061	1	NI340061	1
19	Spring Ping	0410820	1	0410820	1
20	Screw	NH340030	1	NI340030	1
21	Support Nut (upper)	NH340020	1	NI340020	1
22	Nut	0811212-02	4	0811612-02	4
23	Washer	0911215	2	0911616	2

# FRAME PARTS LIST

**UDLV-150**



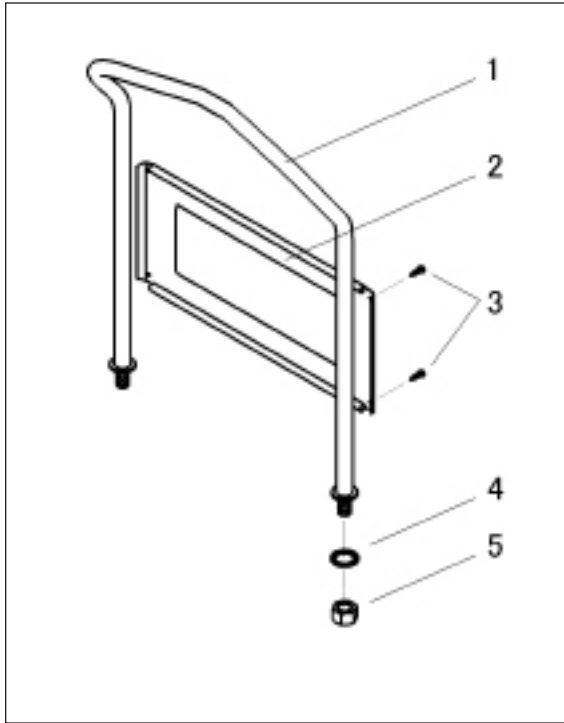
**UDLV-500**



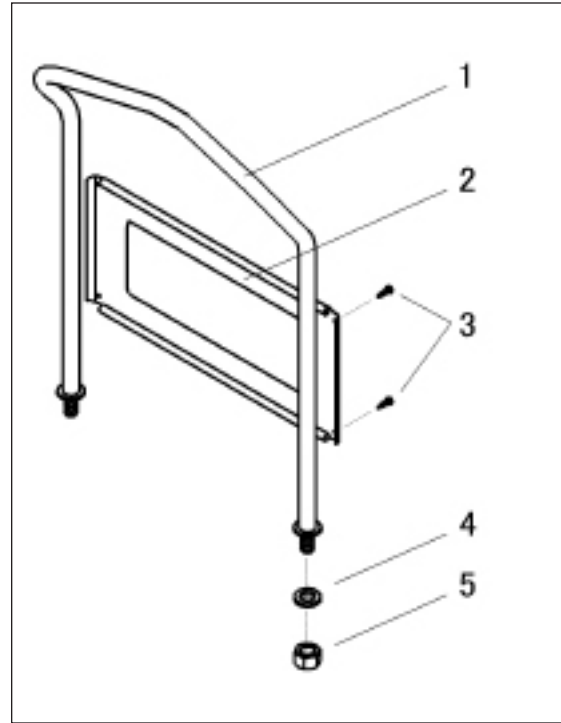
No.	Description	UDLV-150		UDLV-500	
1	Frame	NH100000	1	NI100000	1
2	Roller Stopper	NH370010	1	NH370010	1
3	Spring Washer	0980853	2	0980853	2
4	Hexagon Head Bolt	0110816	2	0110816	2
5	Lock Pin	NH380000	1	NI380000	1

# HANDLE PARTS LIST

**UDLV-150**



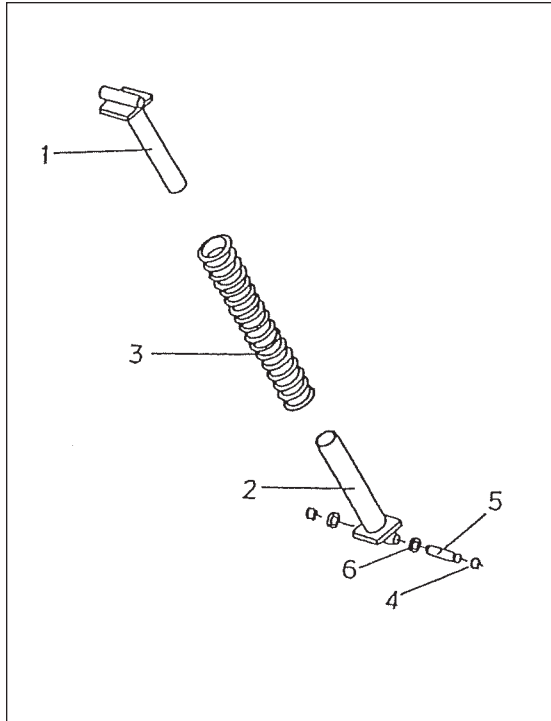
**UDLV-500**



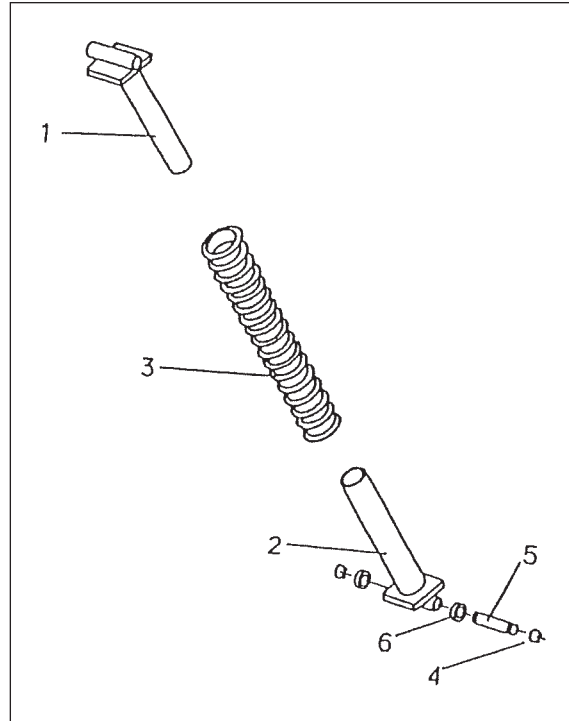
No.	Description	UDLV-150		UDLV-500	
1	UD Handle	NS220011	1	ND220011	1
2	Name Plate	NH230011	1	NI230011	1
3	Cross-Recessed Head Tapping Screw	0283413	4	0283413	4
4	Toothed Lock Washer	0992085	2	-----	-
4	Spring Washer	-----	-	0982057	2
5	Nut	0812011	2	0812011	2

# SPRING UNIT PARTS LIST

## UDLV-150

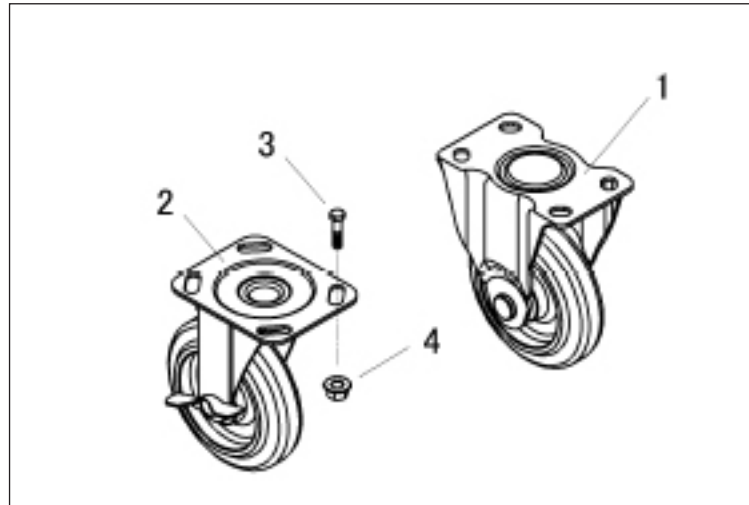


## UDLV-500



No.	Description	UDLV-150		UDLV-500	
1	Spring Holder (upper)	NH740010	1	NI711010	1
2	Spring Holder (lower)	NH730010	1	NI712010	1
3	Spring	NH720010	1	NI713010	1
4	Ring Retaining C	0321201	2	0321601	2
5	Spring Shaft	NH410010	1	NH410010	1
6	Bush	1121200	4	1161600	4

## CASTER PARTS LIST



No.	Description	UDLV-150		UDLV-500	
1	Front Caster	K-SKK-R100	2	38-WK-130R	2
2	Rear Caster	JS-SKK-R100	2	38-WJS-130R	2
3	Screw	0110814	16	0111020	16
4	Collar Hexagon Nut	0810832	16	0811032	16

## Ordering Replacement Parts

Southworth has carefully chosen the components in your unit to be the best available for the purpose. Replacement parts should be identical to the original equipment. **Southworth will not be responsible for equipment failures resulting from the use of incorrect replacement parts or from unauthorized modifications to the machine.**

Southworth can supply all replacement parts for your Southworth lift. We have identified key replacement parts for your lift. With your order, please include the model number and the serial number of the unit. You will find these numbers on the name plate.

To order replacement parts, please call the Parts Department at (207) 878-0700. Parts are shipped subject to the following terms:

- FOB factory.
- Returns only with the approval of our parts department.
- Payment net 30 days (except parts covered by warranty).
- Freight collect (except parts covered by warranty).
- The warranty for repair parts is 30 days from date of shipment.

Parts replaced under warranty are on a "charge-credit" basis. We will invoice you when we ship the replacement part, then credit you when you return the worn or damaged part, and we verify that it is covered by our warranty. Labor is not covered under warranty for Parts orders.

Parts Department  
Southworth Products Corp  
P.O. Box 1380  
Portland, ME 04104-1380  
Telephone: (207) 878-0700  
FAX: (207) 797-4734  
[repairparts@SouthworthProducts.com](mailto:repairparts@SouthworthProducts.com)



## 2 YEAR WARRANTY

Southworth Products Corp warrants this product to be free from defects in material or workmanship for a period of **2 years** of single shift usage from date of shipment, providing claim is made in writing within that time period. This warranty shall not cover modified designs for special applications, failure or defective operation caused by misuse, misapplication, negligence or accident, exceeding recommended capacities, failure to perform required maintenance or altering or repairing, unless alteration is authorized by Southworth Products Corp. Except as set forth herein, there are no other warranties, express or implied, including the warranties of merchantability and fitness for a particular purpose, all of which are hereby excluded.

All **batteries have a 90 day parts and labor** warranty, this warranty covers any defects in material and workmanship from the date of shipment.

Southworth Products Corp makes no warranty or representation with respect to the compliance of any product with state or local safety or product standard codes, and any failure to comply with such codes shall not be considered a defect of material or workmanship under this warranty. Southworth Products Corp shall not be liable for any direct or consequential damages arising out of such noncompliance.

Southworth Products Corp's obligation under this warranty is limited to the replacement or repair of defective components at its factory or another location at Southworth Products Corp's discretion. The Southworth Warranty is for product sold with in North America. For products shipped outside of North America the warranty will be for replacement of defective parts only. Labor is not included. This is buyer's sole remedy. Except as stated herein, Southworth Products Corp will not be liable for any loss, injury or damage to persons or property, nor for direct, indirect, or consequential damage of any kind, resulting from failure or defective operation of said product.

This warranty may be altered only in writing by Southworth Products Corp, Portland, Maine.

### **SOUTHWORTH PRODUCTS CORP**

P.O. Box 1380, Portland, ME 04104-1380

Telephone: (800) 743-1000 • (207) 878-0700

Fax: (207) 797-4734

[www.SouthworthProducts.com](http://www.SouthworthProducts.com)

# **SOUTHWORTH**

**making work faster, safer, and easier**

Southworth is the world class supplier of products designed to improve productivity and enhance safety. Our staff has over 400 years of engineering experience. If one of our standard products does not meet your needs, our engineers can custom design equipment specifically suited to your material handling application.



**Spring PalletPal Load Leveler**



**Lift with Flush Mount Turntable**



**Portable Container Tilters**



**Dock Lifts**



**Roll on Level Loaders**



**Portable Lifts**



**Stack-n-Go Powered Stacker**



**Floor Height Lifts  
Roll-E**

**Floor to  
Mezzanine Lifts**



**Pallet Rotators**



**For more information, contact Southworth Products**

Telephone (800) 743-1000 Fax (207) 797-4734

**Email: [salesinfo@SouthworthProducts.com](mailto:salesinfo@SouthworthProducts.com)**