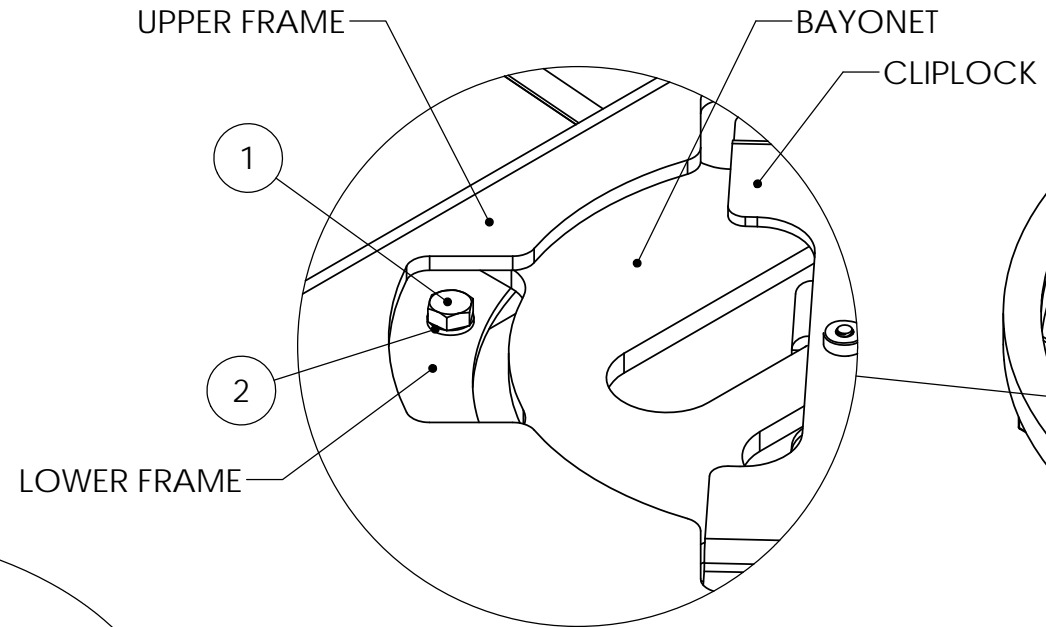


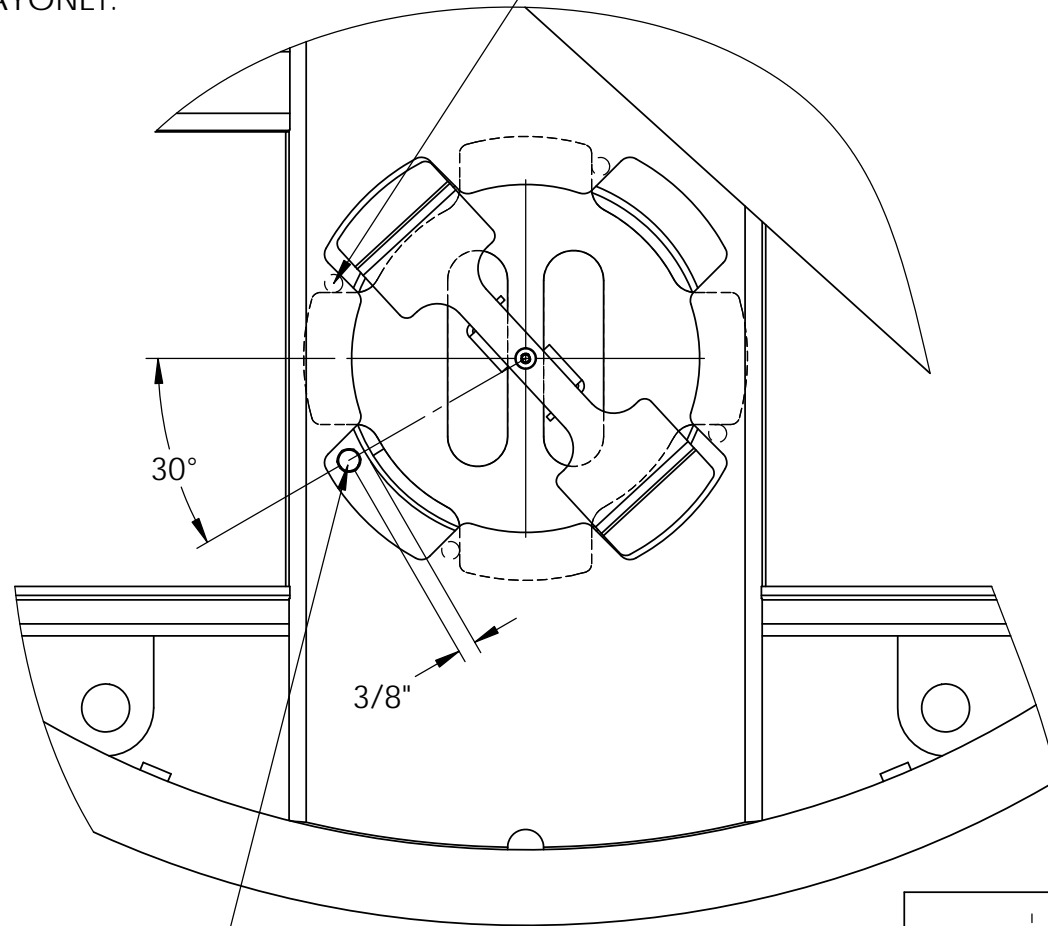
| REVISIONS | | | | |
|-----------|---|-----------|------------|-------|
| REV. | DESCRIPTION | DATE | REVISED BY | ECO # |
| A | REDRAWN IN SOLIDWORKS UPDATED FOR PP360 | 2/23/2012 | SMS | |

NOTE:
THIS SCREW KIT IS USED TO PREVENT THE BAYONET FROM BEING REMOVED WHEN THE PP360 IS SET UP FOR LOAD RANGE 0 (WHITE SPRING ONLY). PLATFORM HEIGHT MUST BE RESTRAINED PRIOR TO REMOVAL OF THE WHITE SPRING BAYONET.

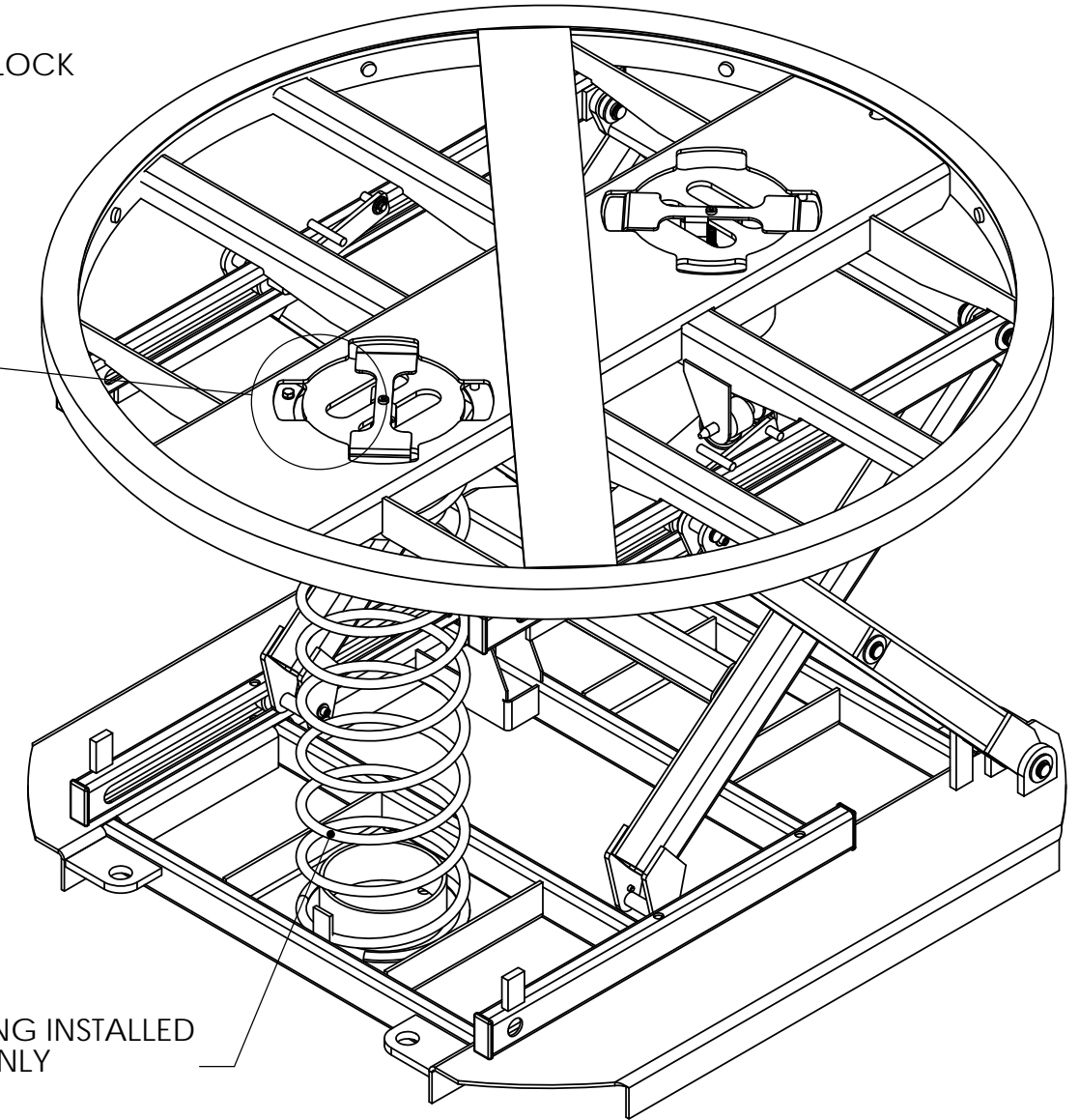


DETAIL A
SCALE 1 : 2

NOTE POSITION OF BAYONET STOP PIN (BELOW UPPER FRAME) IN RELATION TO HEX-HEAD SCREW. SCREW MUST BE ON OPPOSITE SIDE IN ORDER TO CAPTURE BAYONET.

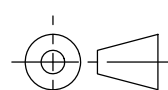


DRILL ϕ 13/64"
TAP 1/4-20 UNC
IN LOWER FRAME



| | | | | |
|---|---|----|----------------------------|----------|
| 2 | 1 | EA | BK-HA WSHR LCK-SPT STL .25 | 2340484 |
| 1 | 1 | EA | HA SCREW HHCS .25-20X.37 | 30000662 |

| ITEM NO. | QTY. | U/M | DESCRIPTION | PART NO. |
|----------------------------|-----------------|----------|--|------------------------------------|
| | | | SOUTHWORTH | |
| | | | Southworth Products Corp. P.O. Box 1380 Portland, Maine 04104-1380 | DR SMS DATE 2-23-12 CK - DATE - |
| REFERENCE | CAGE CODE 06378 | WT - LBS | SCALE 1:8 | MODEL PP360 |
| TITLE: ACK SPRING CAP LOCK | | | B 60017922 | A |
| | | | SIZE DWG. NO. | SHEET 1 OF 1 REV |



3RD ANGLE
PROJECTION

FRACTIONS \pm 1/8
.XXX \pm .005
.XX \pm .01
ANGLES: \pm .5°

UNLESS OTHERWISE
SPECIFIED,
DIMENSIONS ARE IN
INCHES

USE OF PROPRIETARY INFORMATION
LIMITED TO WRITTEN AGREEMENT

THIS DRAWING MUST BE AT REVISION: 'A'