

Owner's Manual

SSFH2.5-37

Floor Height Lift Table



**SOUTHWORTH**

Southworth Products Corp  
P.O. Box 1380, Portland, Maine 04104-1380  
Phone: 800-743-1000 / 207-878-0700  
Fax: 207-797-4734  
[www.SouthworthProducts.com](http://www.SouthworthProducts.com)

July 2009

# CONTENTS

INTRODUCTION.....	3
INCREASED PRODUCTIVITY.....	3
SAFETY FIRST.....	3
Safety Features.....	3
LOCK OUT PROCEDURE.....	4
INSTALLATION.....	4
OPERATION.....	4
LIFT SPECIFICATIONS.....	5
TROUBLESHOOTING.....	6
RECOMMENDED SPARE PARTS.....	13
WARRANTY.....	15
Figure 1. Power Unit Assembly.....	7
Figure 2. Scissor Roller Assembly.....	8
Figure 3. Axis Pin Assembly.....	9
Figure 4. Hydraulic Schematic.....	10
Figure 5. Electrical Schematic.....	10
Table 1. Oil Recommendations.....	12

## **INTRODUCTION**

This manual contains information to acquaint you with the safe and proper installation, use and upkeep of the machine. You should ensure that this manual is available to personnel working with the machine and require its use by these personnel.

In the interest of safety, please read this entire manual carefully and be familiar with its contents before you install, use or service the machine. If you have any questions about any instructions in this manual, please contact your dealer or Southworth Products Corp.

Southworth's product warranty is provided in the back of this manual. This instruction manual is not intended to be or to create any other warranty, expressed or implied, including any implied warranty of merchantability or fitness for a particular purpose, all of which are hereby expressly excluded.

As set forth more specifically in the product warranty, Southworth's obligation under that warranty is limited to the repair or replacement of defective components, which shall be the buyer's sole remedy. Southworth shall not be liable for any loss, injury or damage to persons or property, nor for any direct, indirect or consequential damage of any kind resulting from the lift table.

## **INCREASED PRODUCTIVITY**

This sanitary lift can be used to raise and lower products vertically. This could reduce loss time injuries due to back strain and cumulative trauma illness. This reduction could increase job efficiency, productivity and work quality.

## **SAFETY FIRST**

**NOTE: ALL MAINTENANCE SHOULD BE PERFORMED WITH THE PLATFORM FULLY LOWERED. FAILURE TO DO SO MAY RESULT IN INJURY TO PERSONNEL OR THE LIFT.**

**WARNING!!**  
**FAILURE TO FOLLOW THE INSTRUCTIONS IN THIS MANUAL CAN CAUSE**  
**PERSONAL INJURY AND/OR PROPERTY DAMAGE!**

Carefully read all safety messages in this manual and all warning stickers on your sanitary lift. Keep ALL safety signs and labels in good condition and replace those that are damaged.

**WARNING!!**  
**WATCH HANDS AND FINGERS! KEEP EXTREMITIES AWAY FROM**  
**SCISSORS ARMS WHEN MACHINE IS IN OPERATION!**

### **Safety Features:**

- Continuous-touch up/down footswitch control.

## **LOCK OUT PROCEDURE**

When cleaning, maintaining or disassembly is required; the lift should be completely powerless. The main power to the lift controls and power unit must be disconnected and locked out.

## **INSTALLATION**

1. After locating the unit in the work area, anchor the base firmly to a level floor before operating unit.
  - A. When leveling the unit, shims may be used to obtain a level position. Southworth Products recommends using a grout to provide a solid surface underneath the support angle base. The channel must have a solid base to support the wheels or damage/failure to the support could result.
  - B. There are four anchor points on the lift. These are located on the inside base of the lift. Use a corrosion resistant 3/4" bolt in all four points for proper anchoring.
  - C. To access the four inside anchor points, the lift must be raised. See the electrical diagram (page 10) for proper wiring.
2. Plug the power cable into a 110V AC, properly grounded outlet with sufficient amperage capacity to run a 1 HP electric motor.
3. Check hydraulic fluid level in reservoir. The level should be approximately 1 ½ " below the fill hole.
4. Grease each of the four grease points on the lift. They are located on the four cylinder areas by the middle of the scissors arms. These grease points have been greased at our factory.
5. The four grease points should be greased on a regular basis. Depending on your type of operation and wash down procedure, Southworth Products recommends you grease these points on a weekly basis.

## **OPERATION**

**WARNING!!**  
**KEEP EXTREMITIES AWAY FROM ALL MOVING PARTS. UNDER NO**  
**CIRCUMSTANCES SHOULD ANY ONE WALK UNDER OR HAVE ANY**  
**PART OF THEIR BODY UNDER THIS LIFT!**

**NOTE: LOADS MUST NOT EXCEED 2500 LBS. FOR THIS SSFH2.5-37 MODEL LIFT**

Once the unit has been properly set up per the Installation instructions, try the unit empty first to test the operation to be sure it is working properly. Then test the unit with a load. Keep all loads properly centered and balanced as much as possible.

**CAUTION!**  
**AWKWARD PLACEMENT OF LOAD COULD CAUSE EQUIPMENT DAMAGE**

Engage the hand pendant to raise or lower the lift. The hand pendant is a momentary control which allows easy operation. The unit can be started or stopped at any position throughout the unit's cycle.

**CAUTION!**  
**WHEN LIFTING HEAVY LOADS, DO NOT JOG UNIT MORE THAN 2-3 TIMES TOO QUICKLY. WAIT APPROX. 5 SECS. BETWEEN EACH JOG. SUDDEN JOGS MAY CAUSE THE UNIT TO HAVE SURGES IN ELECTRICAL POWER. THIS COULD CAUSE THE FUSE TO TRIP EXCESSIVELY AND CAUSE IMPROPER WEAR ON THE HYDRAULIC UNIT**

To lower a product or just the unit by itself, simply depress the down button and the unit will lower. This is done without the power unit engaging.

**NOTE: ANY CONTROL MODIFICATIONS OR OTHER ADJUSTMENTS MADE TO THIS EQUIPMENT WITHOUT CONTACTING SOUTHWORTH PRODUCTS WILL VOID THE WARRANTY**

**LIFT SPECIFICATIONS**

Construction	Fabrication from Heavy Duty T304 Stainless Steel
Capacity	2500 lbs. uniform load
Platform Size	44" x 48" pan
Lowered Height	½ "
Raised height	37"
Elevation Time	20 seconds (approx.)
Descent Time	8 seconds (approx.)
Power Unit	Internal 110V AC, TEFC motor, 1hp
Controls	NEMA 4 footswitch
Actuation	Dual, low-pressure hydraulic cylinders, washdown, white epoxy-coated

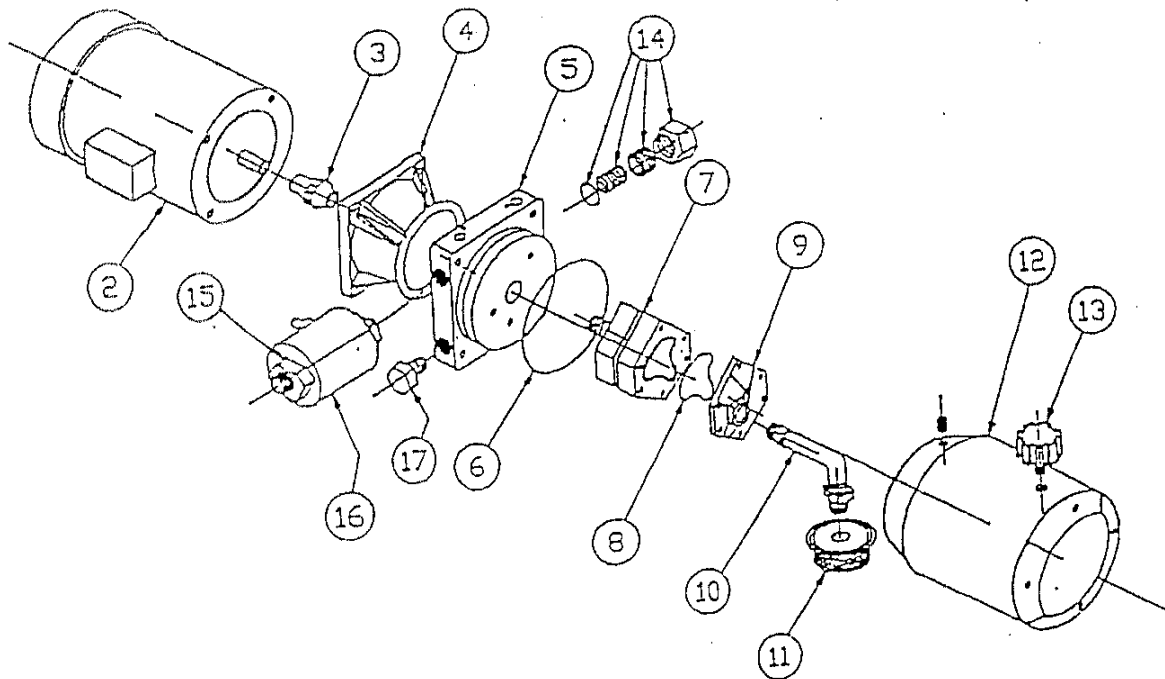
## **TROUBLESHOOTING**

The chart below lists some problem/solutions that might occur due to normal wear or due to malfunction. Locate the problem situation and follow the suggested solutions.

*For additional help call: 800-743-1000*

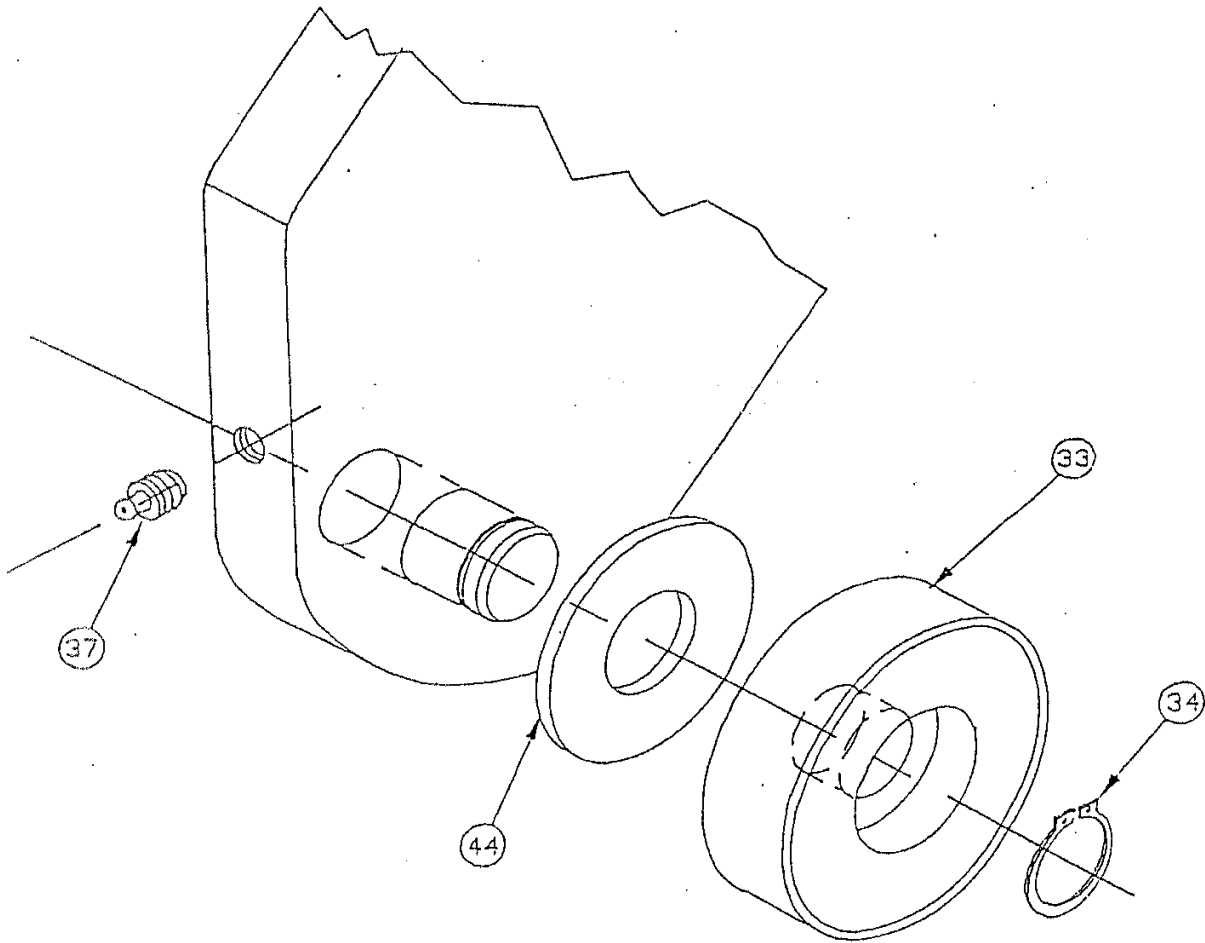
<b>PROBLEM SITUATION</b>	<b>SUGGESTED SOLUTION</b>
<i>Motor to power unit does not turn on</i>	<ul style="list-style-type: none"> <li>* Check electrical service</li> <li>* Check and/or replace fuse</li> <li>* Contacts in switch or solenoid</li> <li>* Loose wires in junction box</li> <li>* Check and/or replace motor</li> </ul>
<i>Motor turns on but will not lift product</i>	<ul style="list-style-type: none"> <li>* Hydraulic fluid is low and needs to be filled</li> <li>* Pump coupling between motor and hydraulic pump has come loose or needs to be replaced</li> <li>* Check and/or replace hydraulic pump</li> <li>* Strainer has become plugged and needs to be cleaned</li> </ul>
<i>Motor and pump do not run smoothly</i>	<ul style="list-style-type: none"> <li>* Air in the hydraulic lines needs to be removed</li> <li>* Dirt or foreign particles in hydraulic fluid</li> <li>* Motor has come loose from base plate and needs tightening</li> <li>* Check and/or replace lovejoy coupling</li> <li>* Check and/or replace hydraulic pump</li> <li>* Check and/or replace motor</li> </ul>
<i>Non-level platform while raising load</i>	<ul style="list-style-type: none"> <li>* Air in the hydraulic cylinders needs to be removed</li> <li>* Flow divider is plugged</li> </ul>
<i>Excessive oil about base of hydraulic cylinders</i>	<ul style="list-style-type: none"> <li>* Hydraulic fitting to cylinder is loose and needs to be tightened</li> <li>* Check and/or replace hydraulic hose</li> <li>* O-rings in hydraulic cylinders need to be replaced</li> </ul>

ITEM NO.	FUNCTION
2	MOTOR
3	COUPLING
4	C-FACED ADAPTER
5	END HEAD
6	O-RING
7	PUMP
8	SEAL KIT
9	SUCTION COVER
10	ELBOW
11	STRAINER
12	RESERVOIR
13	BREATHER
14	RELIEF VALVE
15	SOLENOID VALVE
16	SOLENOID
17	CHECK VALVE



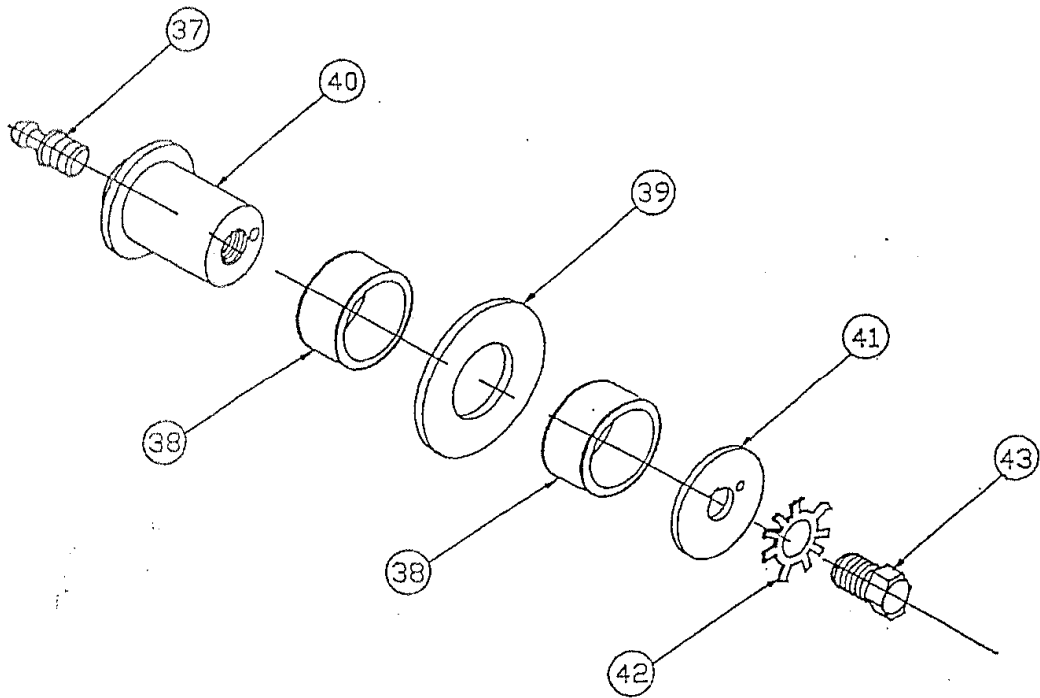
**Figure 1. POWER UNIT ASSEMBLY**

ITEM NO.	FUNCTION	DESCRIPTION
33	SCISSORS ROLLERS, S.S.	T304 S.S.
34	ROLLER RETAINING RING	RETAINING RING
37	AXIS LUBE FITTING	1/8" NPT GREASE FITTING
44	ROLLER SPACER	BRASS



**Figure 2. SCISSOR ROLLER ASSEMBLY**

ITEM NO.	FUNCTION	DESCRIPTION
37	AXIS LUBE FITTING	1/8" NPT GREASE FITTING
38	BEARING	TYPE 660 CAST BRONZE
39	WASHER	2" DIA. X 1/8" THICK BRONZE
40	AXIS PIN	T304 S.S.
41	END HEAD	10 GA. T304 S.S.
42	SERIES WS LOCK WASHER	TYPE T304 S.S.
43	HEX HEAD BOLT	7/16-20 NF HEX HEAD BOLT 1" LONG



**Figure 3. AXIS PIN ASSEMBLY**

Figure 4. HYDRAULIC SCHEMATIC

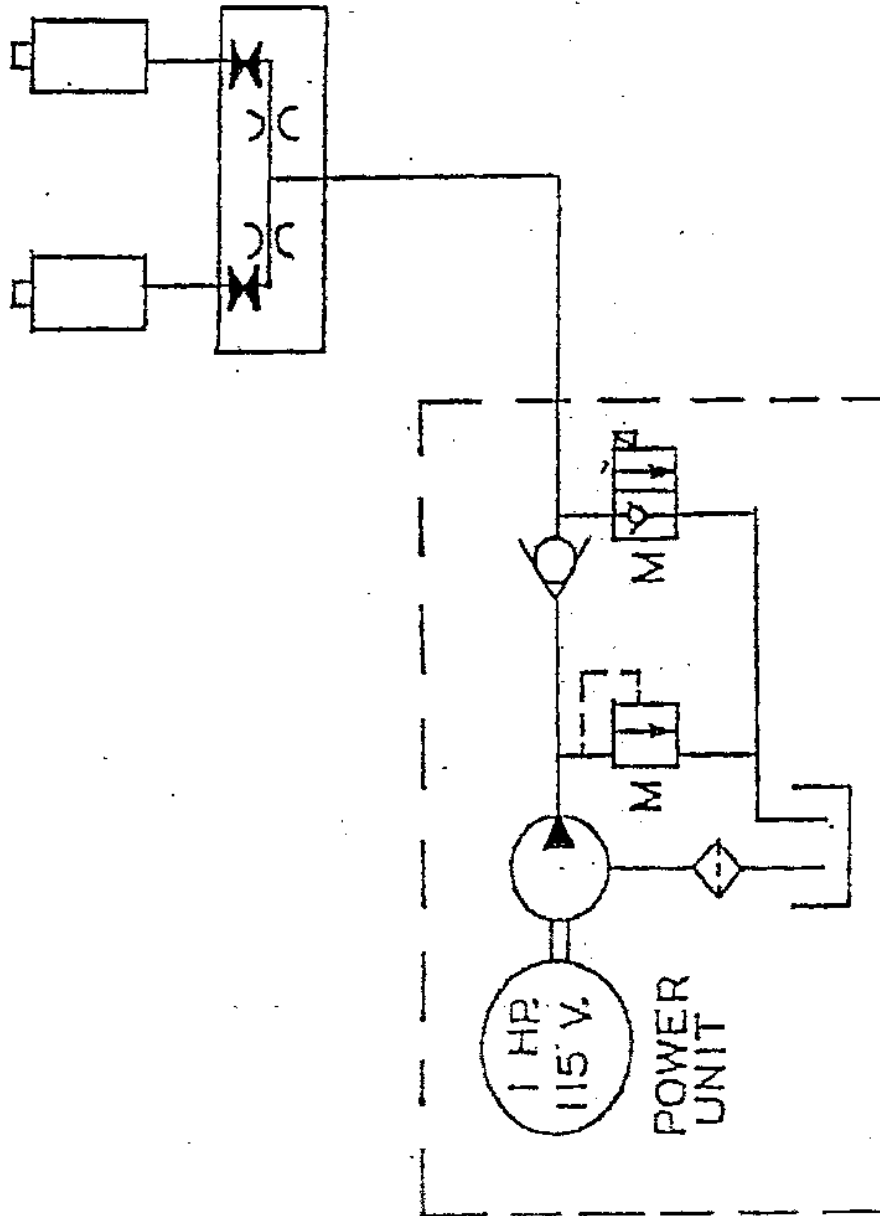
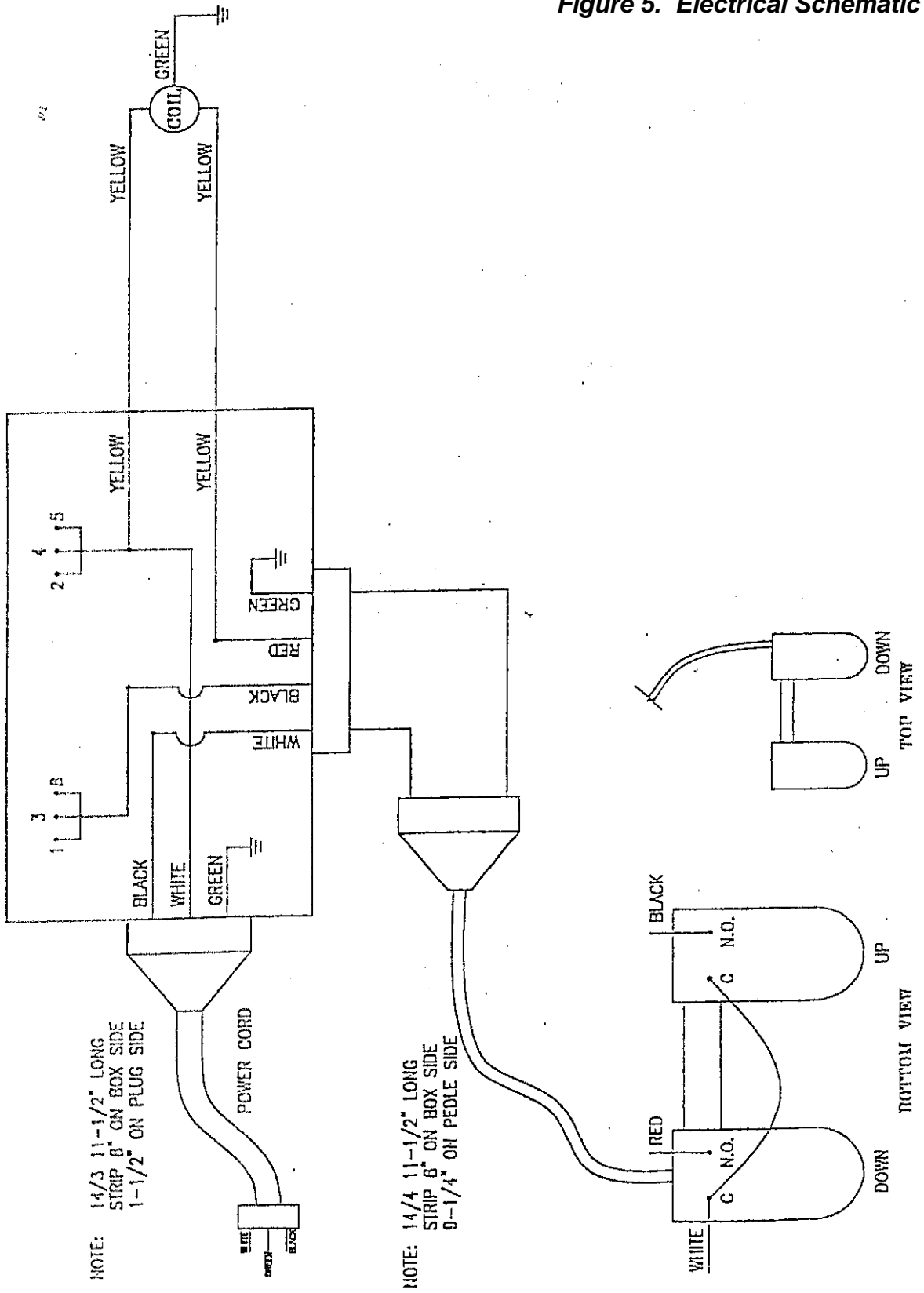
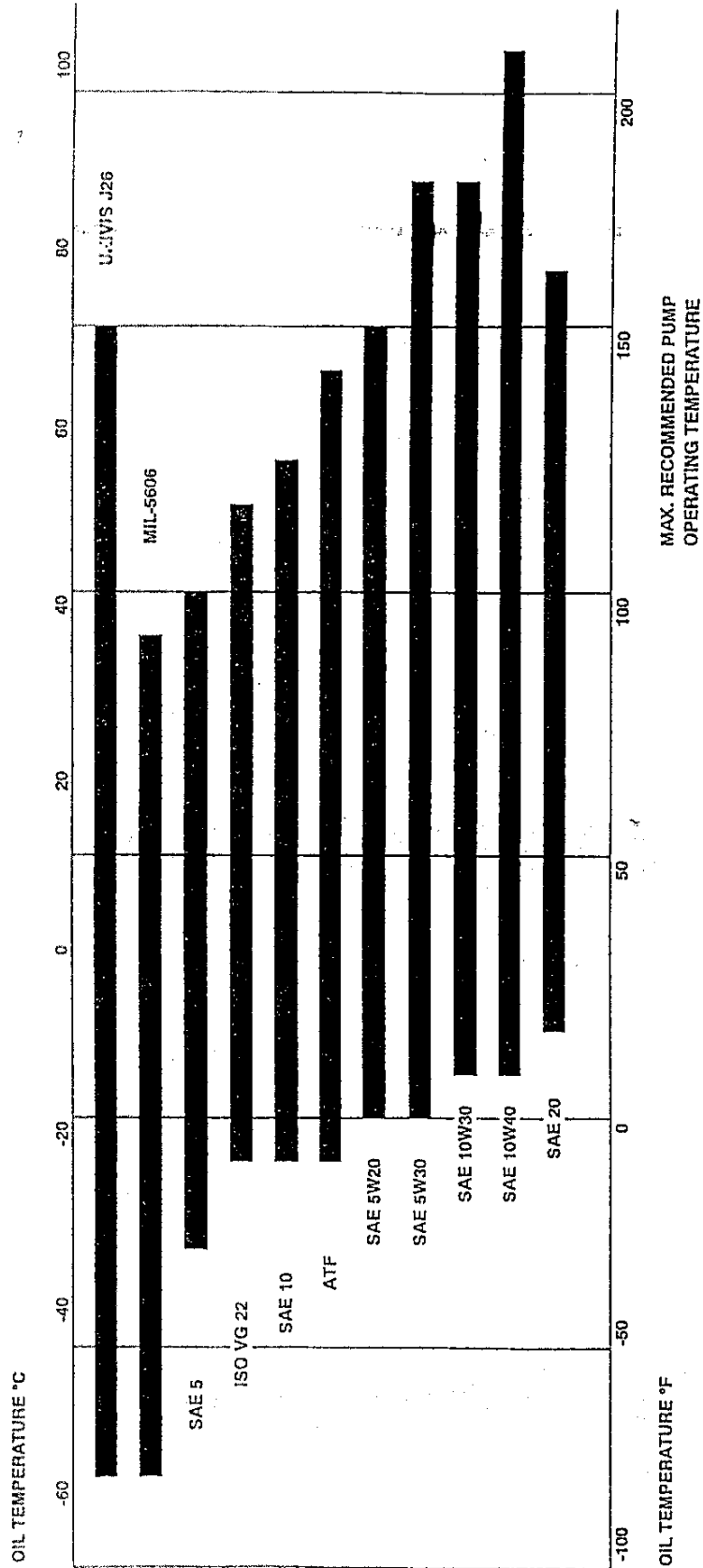


Figure 5. Electrical Schematic



# RECOMMENDED OILS AT VARIOUS TEMPERATURES



TEMPERATURE LIMITS BASED ON MAXIMUM VISCOSITY OF 1000 CENTISTOKES (5000 SSU) AND MINIMUM VISCOSITY OF 15 CENTISTOKES (80 SSU)

FOR CURRENT PRICES AND AVAILABILITY - CALL OR FAX YOUR ORDER TO  
Southworth Parts Dept.  
Tel: 800-743-1000 / Fax: 207-797-4734  
repairparts@SouthworthProducts.com

## Warranty

Southworth Products Corp warrants this product to be free from defects in material or workmanship for a **period of one (1) year** from date of shipment, providing claim is made in writing within said year. This warranty shall not cover failure or defective operation caused by misuse, misapplication, negligence or accident, exceeding recommended capacities, or altering or repairing, unless alteration is authorized by Southworth Products Corp. Except as set forth herein, there are no other warranties, express or implied, including the warranties of merchantability and fitness for a particular purpose, all of which are hereby excluded.

Southworth Products Corp makes no warranty or representation with respect to the compliance of any product with state or local safety or product standard codes, and any failure to comply with such codes shall not be considered a defect of material or workmanship under this warranty. Southworth Products Corp shall not be liable for any direct or consequential damages arising out of such noncompliance.

Southworth Products Corp's obligation under this warranty is **limited** to the replacement or repair of defective components at its factory or another location at Southworth Products Corp's discretion. This is buyer's sole remedy. Except as stated herein, Southworth Products Corp will not be liable for any loss, injury, or damage to persons or property, nor for direct, indirect, or consequential damage of any kind resulting from failure or defective operation of said material or equipment.

This warranty may be altered only in writing by Southworth Products Corp, Portland, Maine. Southworth Products Corp is widely acknowledged as the leading maker of hydraulic lifts and materials-handling equipment. Southworth machines are rugged and reliable, and are designed to provide years of trouble-free service. The designs are based on extensive engineering experience. These are good reasons for specifying Southworth machines in your plant.

Southworth Products Corp  
P.O. Box 1380, Portland, Maine 04104-1380  
Telephone: 1-800-743-1000 or 207-878-0700  
Fax: 207-797-4734  
E-mail: [service@southworthproducts.com](mailto:service@southworthproducts.com)  
[www.SouthworthProducts.com](http://www.SouthworthProducts.com)

# **SOUTHWORTH**

**We'll Show You How**

Southworth is *the* world class supplier of products designed to improve productivity and enhance safety. Our staff has over 400 years of engineering experience. If one of our standard products does not meet your needs, we can design custom equipment specifically suited to your material handling application.



**Spring Loader**



**Lift with Turntable**



**Portable Tilters**



**Dock Lifts**



**Palletizing**



**Portable Lifts**



**Stretchwrapping**



**Positioning**



**Lift & Tilt**



**Floor to Mezzanine Lifts**

For more information, contact Southworth Products  
Telephone 800-743-1000 - Fax 207-797-4734  
Email: [sales@SouthworthProducts.com](mailto:sales@SouthworthProducts.com)