

OWNER'S MANUAL

SOUTHWORTH

PalletPal Low Profile Disc Turntable



Model # _____

Serial # _____

Date placed in Service _____

SOUTHWORTH PRODUCTS CORP
P.O. Box 1380 • Portland, ME 04104-1380
Telephone: (207) 878-0700 or (800) 743-1000
Fax: (207) 797-4734
www.SouthworthProducts.com
Email: service@SouthworthProducts.com

Revised December 2010

Please note: This manual was current at the time of printing.
To obtain the latest, most updated version, please contact Southworth's Customer Service Department or go to our website: www.SouthworthProducts.com, under E-Parts & Service you will find a complete list of current owner's manuals to print.

SOUTHWORTH PRODUCTS CORP. PALLET PAL DISC TURNTABLE OWNER'S INFORMATION

I. Installation

It is important that your new PalletPal Disc Turntable be unskidded and installed properly. To assure your satisfaction, please follow these steps:

1. Inspect for any shipping damages and note these to the trucker and on the paperwork.
2. Position the skid adjacent to where the machine is to be set.
3. It is extremely important that the machine be installed on a smooth and flat surface which is clean and dry.
4. Carefully slide the Disc from the skid onto steel or wood lengths which form a ramp to the floor. If transition lengths are not available, the Disc can be slid directly onto the floor; however, it must be done with care.

CAUTION: Do not roll turntable on its perimeter - this will cause ball bearings under the platform to move out of position and will result in poor machine performance.

II. Operation

CAUTION: Do not allow personnel to walk or run across the turntable, as it will tend to rotate, causing an individual to fall and receive personal injury.

The PalletPal Disc Turntable is designed to operate with up to 4,000 lbs. After a reasonable break-in period, you can expect that the force required to rotate a uniform and centered load will be:

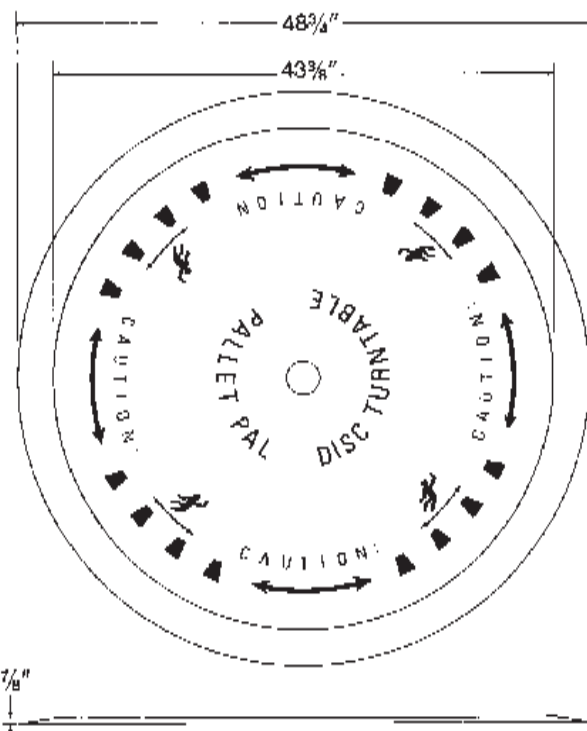
- 500 lbs. = 15-20 lbs. applied 2 feet from center
- 1,000 lbs. = 30-35 lbs. applied 2 feet from center
- 2,000 lbs. = 40-45 lbs. applied 2 feet from center
- 4,000 lbs. = 70-75 lbs. applied 2 feet from center

NOTE: The machine is designed to accept pallet jack rollover loading with 4,000 lbs. Forklift loading is fine; however, the front wheels of the forklift should never be brought on or driven over the turntable.

III. Maintenance

This machine is designed to be nearly maintenance free if used as intended.

The rotating platform bears on two (2) concentric rings of seated ball bearings. If the platform starts rotating with increased difficulty, it may be necessary to disassemble the machine completely, clean all components, and reseal ball bearings in new grease. To perform this procedure, please call Southworth Customer Service at the number listed below.

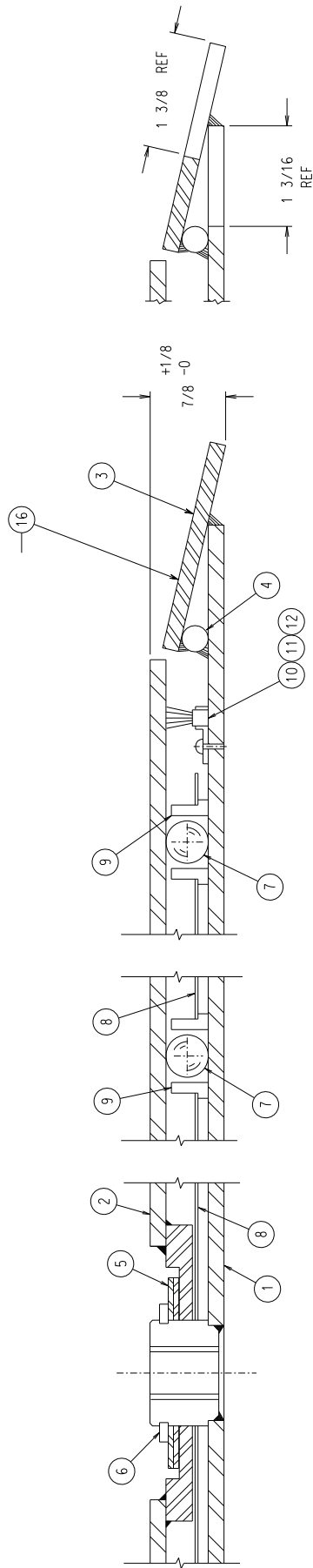


Turntable Specifications

- Maximum Capacity: 4000 lbs
- Turntable Height: 7/8"
- Turntable Diameter: 43-3/8"
- Overall Diameter: 48-3/4"
- Net Weight: 220 lbs

SOUTHWORTH PRODUCTS CORP
P.O. Box 1380 • Portland, ME 04104-1380
Telephone: (207) 878-0700 or (800) 743-1000
Fax: (207) 797-4734
www.SouthworthProducts.com
Email: service@SouthworthProducts.com

PalletPal Disc Turntable Assembly



2 YEAR WARRANTY

Southworth Products Corp warrants this product to be free from defects in material or workmanship for a period of **2 years** of single shift usage from date of shipment, providing claim is made in writing within that time period. This warranty shall not cover modified designs for special applications, failure or defective operation caused by misuse, misapplication, negligence or accident, exceeding recommended capacities, failure to perform required maintenance or altering or repairing, unless alteration is authorized by Southworth Products Corp. Except as set forth herein, there are no other warranties, express or implied, including the warranties of merchantability and fitness for a particular purpose, all of which are hereby excluded.

Southworth Products Corp makes no warranty or representation with respect to the compliance of any product with state or local safety or product standard codes, and any failure to comply with such codes shall not be considered a defect of material or workmanship under this warranty. Southworth Products Corp shall not be liable for any direct or consequential damages arising out of such noncompliance.

Southworth Products Corp's obligation under this warranty is limited to the replacement or repair of defective components at its factory or another location at Southworth Products Corp's discretion. This is buyer's sole remedy. Except as stated herein, Southworth Products Corp will not be liable for any loss, injury or damage to persons or property, nor for direct, indirect, or consequential damage of any kind, resulting from failure or defective operation of said product.

This warranty may be altered only in writing by Southworth Products Corp, Portland, Maine.

SOUTHWORTH

SOUTHWORTH PRODUCTS CORP

P.O. Box 1380, Portland, ME 04104-1380

Telephone: (800) 743-1000 • (207) 878-0700

Fax: (207) 797-4734

www.SouthworthProducts.com

SOUTHWORTH

We'll Show You How

Southworth is *the* world class supplier of products designed to improve productivity and enhance safety. Our staff has over 400 years of engineering experience. If one of our standard products does not meet your needs, we can design custom equipment specifically suited to your material handling application.



Spring Loader



Lift with Turntable



Portable Tilters



Dock Lifts



Palletizing



Portable Lifts



Stretchwrapping



Positioning



Lift & Tilt



Floor to Mezzanine Lifts

For more information, contact Southworth Products
Telephone 800-743-1000 - Fax 207-797-4734
Email: sales@SouthworthProducts.com